

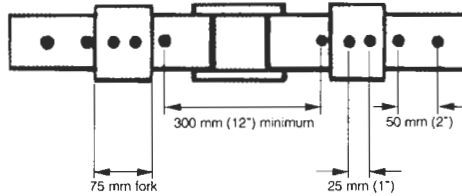
Multi Purpose Crane Frames (Type MPCF1)

Features

- 2-tonne safe working load.
- Safety net.

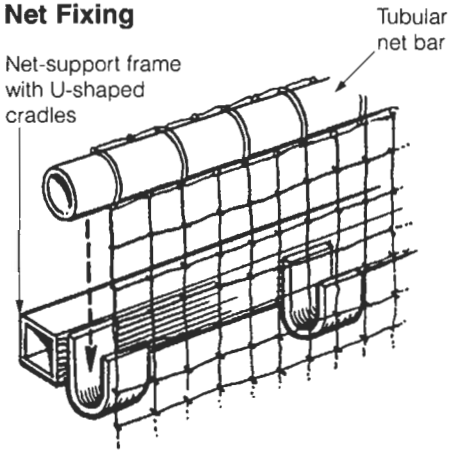
Heavy-duty knotted meshes: easily attached by only two tubular members: no time-wasting connections: easily replaced.

- Fork-spread quickly adjusted by pins, to offer 280-640 mm centres at 50 mm intervals.

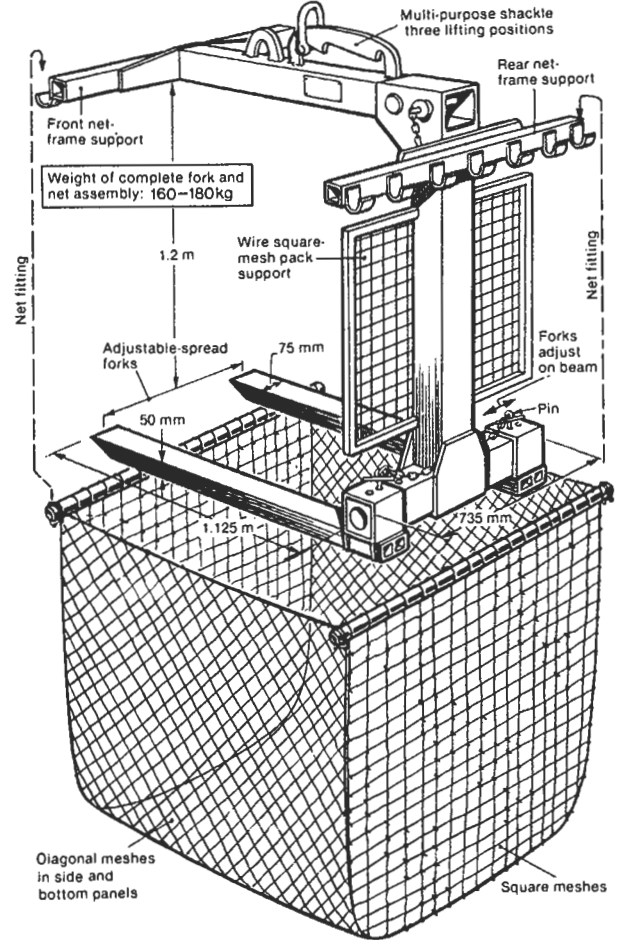


Net Fixing

Net-support frame with U-shaped cradles



The adjustable spread of the crane-forks, together with the vertical clearance between forks and top-frame, gives the capability of handling most known sizes of brick or block pack - with or without pallet. The load must be strapped or restrained.

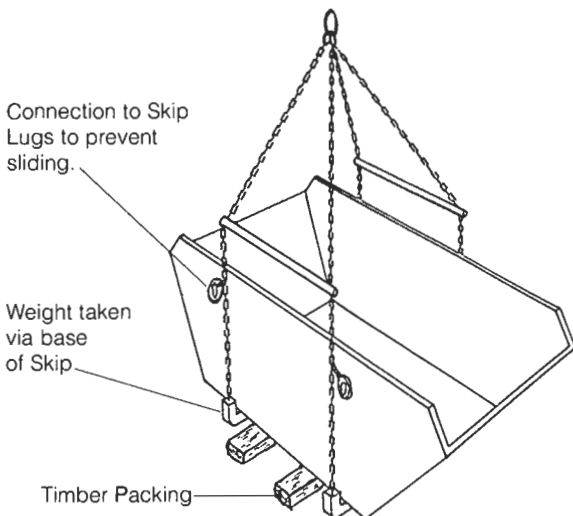


Skip Lifting Assembly (Type RSA1)

Lifting of Rubbish Skips By Crane

Rubbish skips must be lifted by means of Lifting Cradles & Spreader beams which have been specifically designed and tested for use with type of Skip provided (PLEASE CONFIRM MAXIMUM BASE WIDTH OF SKIP WHEN ORDERING)

SWL OF STANDARD TYPE = 12 tonne @ 60c -



Safety Cage (type SLE1)

Designed for two men plus Oxy / Acetylene equipment.

Heavy duty all steel - Fully welded construction.

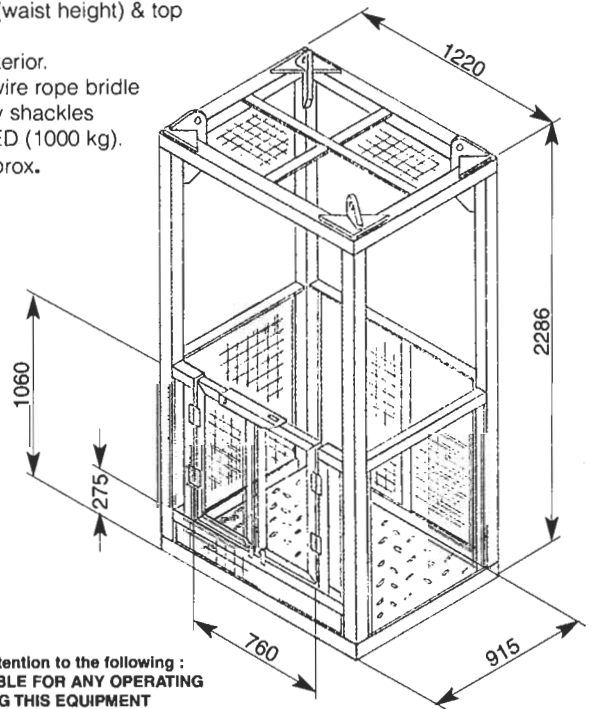
Fully meshed sides (waist height) & top (optional solid top).

Durbar floor plate interior.

Supplied c/w 4/leg wire rope bridle assembly with safety shackles

SWL 500 kg - TESTED (1000 kg).

Tare Wt : 340 kg approx.



IMPORTANT - we draw attention to the following : THE USER IS RESPONSIBLE FOR ANY OPERATING REGULATIONS COVERING THIS EQUIPMENT