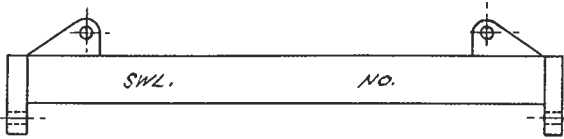
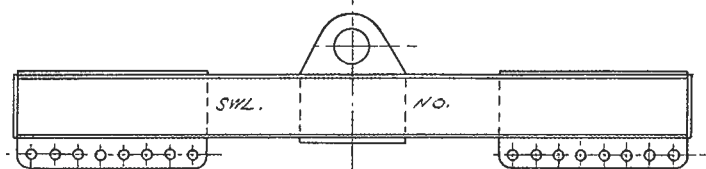
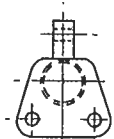


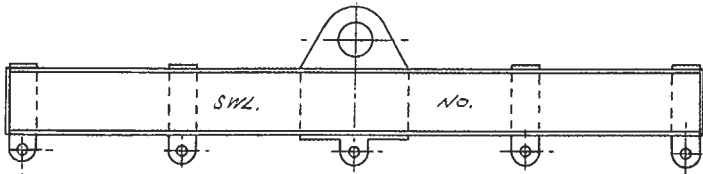
General range of our standard types. Manufactured by us to your specification.
FULLY TESTED & CERTIFIED TO MEET CURRENT REGULATIONS.



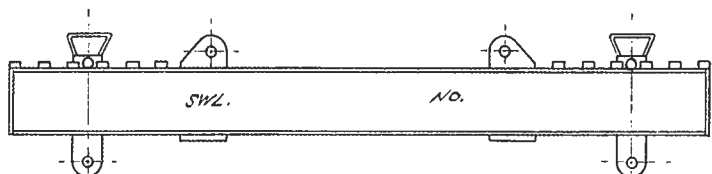
SLE 8 - Spreader beam, fixed load points.



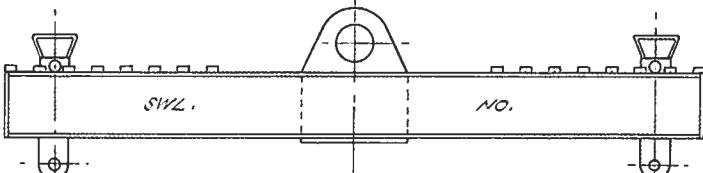
SLE 9 - Lifting beam, central lift point, variable lift points.



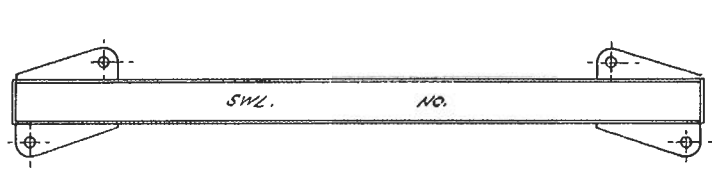
SLE 10 - Lifting beam, central lift point, variable load points.



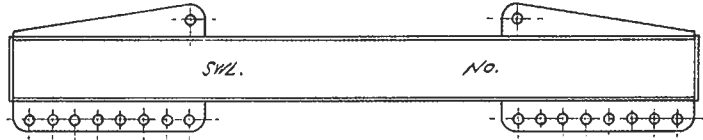
SLE 12 - Spreader beam, variable load points.



SLE 13 - Lifting beam, central lift point, variable load points.

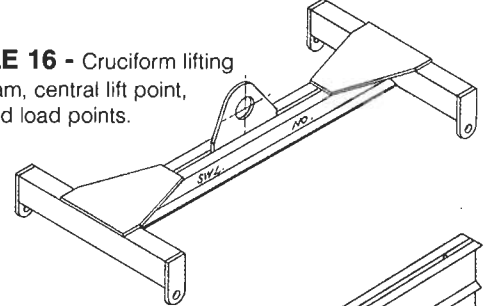


SLE 14 - Spreader beam, fixed load points.

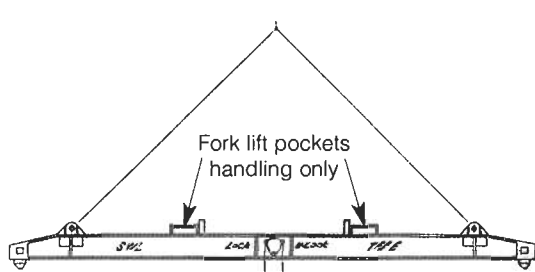
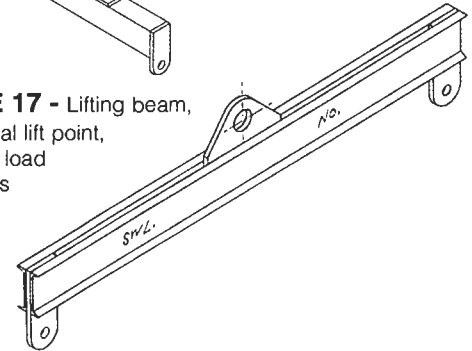


SLE 15 - Spreader beam, variable load points.

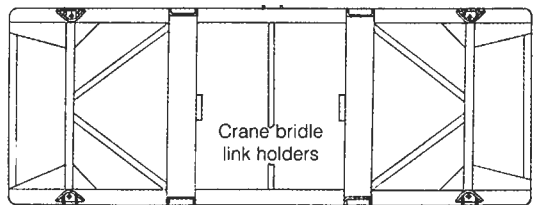
SLE 16 - Cruciform lifting beam, central lift point, fixed load points.



SLE 17 - Lifting beam, central lift point, fixed load points.



SLE 18 - Semi-automatic container lifting frame for ISO containers.



SLE 19 - Pallet lifting assembly.

2/leg alloy chain c/w master link for crane hook, terminating in shackles.

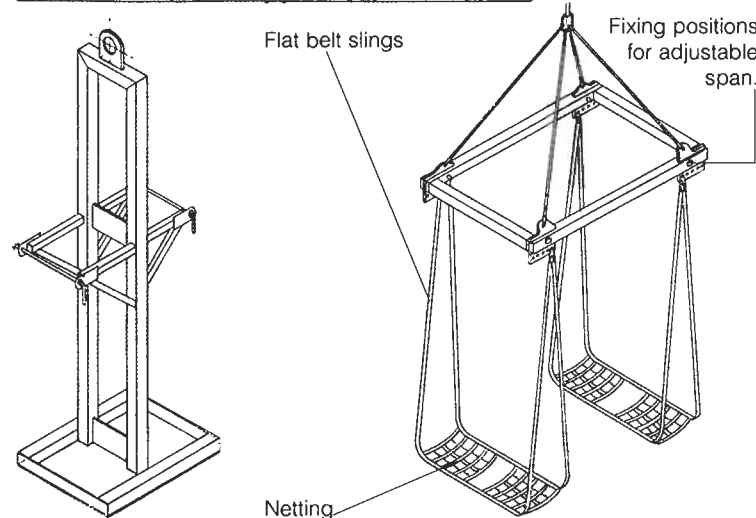
Tubular spreader beam to suit pallet/load width

General arrangement of pallet lifting assembly.

Polyester webbing slings, terminating in safety snap hooks.

Bottom spreader bars in hollow section c/w shackle connection each end.

(spreader bar to pass through pallet.)



SLE 27 - Oxy/Acetylene cylinder lifting frame.

SLE 21 - Vehicle lifting assembly.