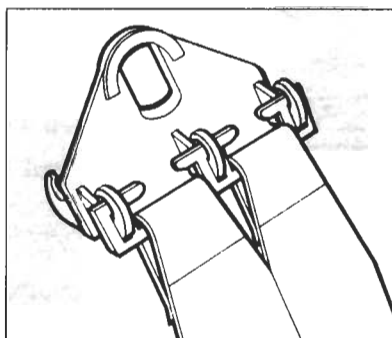
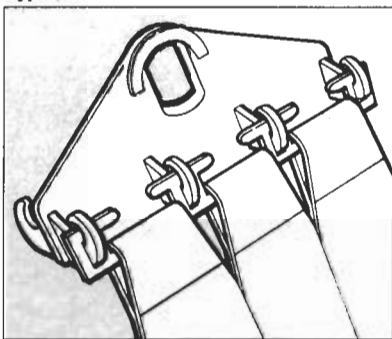


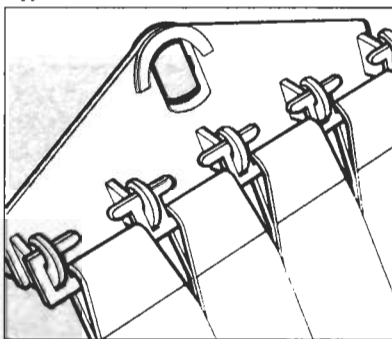
Type RMB. 300 R.H.



Type RMB. 600 R.H.



Type RMB. 900 R.H.



Type RMB. 1200 R.H.

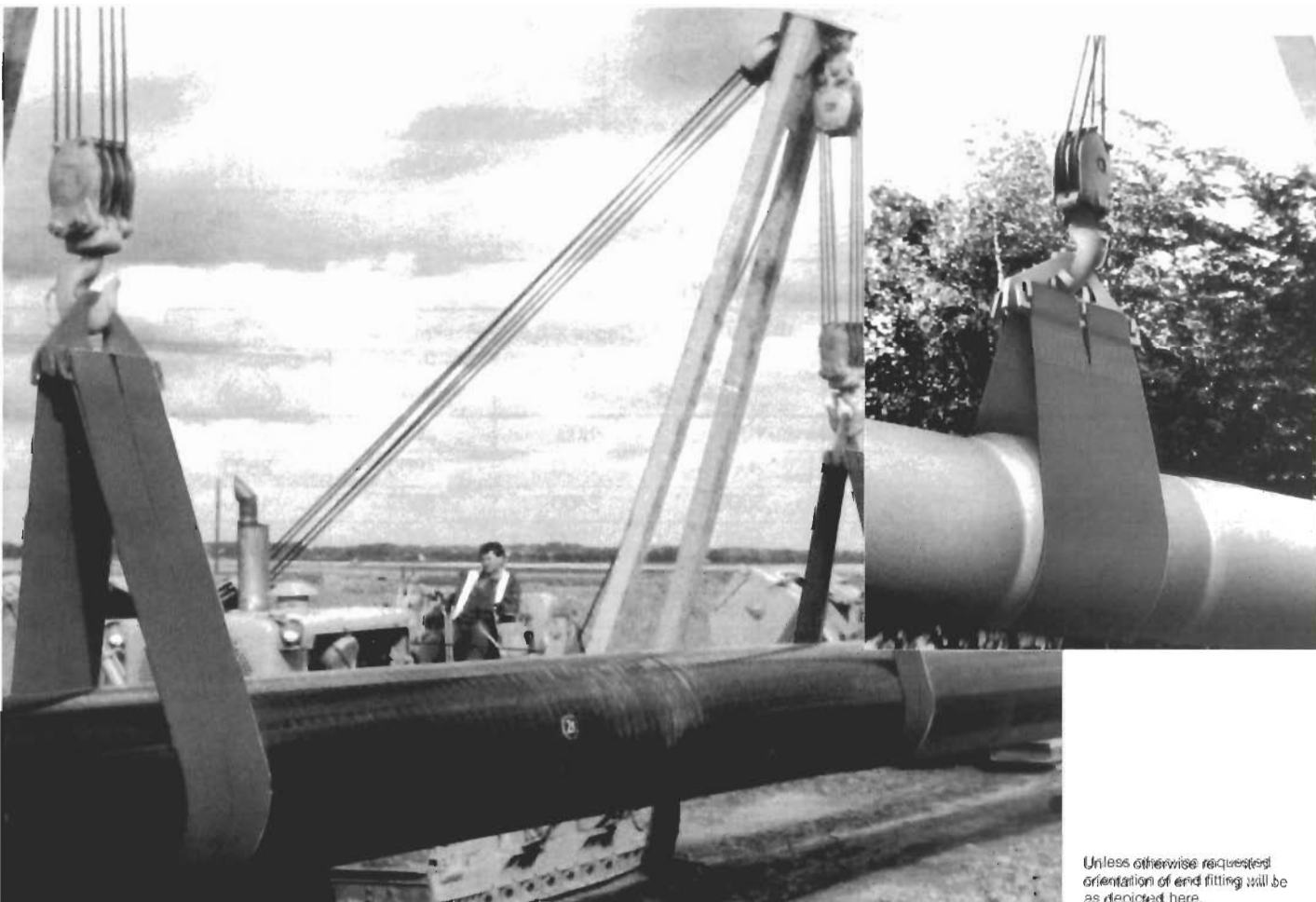
NB. WLL's are specified for inclusive angles up to 90° in basket.
Non-standard capacities available.

Ordering Specify sling type and length required

- Manufactured from durable, double thickness polyester webbing slings joined together and used with heavy duty steel terminals.
- Economical in use due to the long working life - better than any other fibre.
- High load carrying capacity - great strength.
- High safety, low elasticity - Excellent resistance to ultra-violet.
- Excellent abrasion and where resistance due to specially formulated coating and leather protected eyes.
- Simple on site belt replacement in minutes with the advanced terminal design.

Technical Data

Type		WLL
RMB.300 R.H.	(Ram's horn plates)	14 tonne
RMB.600 R.H.	(Ram's horn plates)	28 tonne
RMB.900 R.H.	(Ram's horn plates)	42 tonne
RMB.1200 R.H.	(Ram's horn plates)	56 tonne



Unless otherwise requested orientation of end fitting will be as depicted here.