

### Pulleys and Sheaves

#### Loose Pulleys - Type 1

Cast iron with plain bore assembly into brackets.

#### Specification

Art.-Nr.	Capacity	D	D1	dL	dN	IN	b	b1	Maxi- mum rope Ø	Weight
	Kg	mm	mm	mm	mm	mm	mm	mm	mm	kg
3447006	100	75	61	12	33	16	15	7	6,5	0.26
3447014	250	100	80	14	40	24	20	10	8	0.57
3447022	900	150	112	20	40	38	32	22	20	1.8
3447030	1000	200	162	22	45	42	33	22	20	3.1
3447049	1100	250	212	24	50	46	33	22	20	4.1
3447057	1200	300	262	26	55	46	33	22	20	5.6

#### Loose Pulleys - Type 1a

Cast iron with bronze bush for assembly into brackets.

#### Specification

Art.-Nr.	Capa- city	D	D1	dL	dB	dN	IN	b	b1	r1	Maxi- mum rope Ø	Weight
	Kg	mm	mm	mm	mm	mm	mm	mm	mm	mm	mm	kg
3458006	500	100	80	19	26	40	23	21	14	6	11	0.6
3458007	1000	125	100	22	29	42	24	22	16	6,5	12	0.8
3458008	2000	150	126	30	38	60	29	26	18	7	13	1.7
3459004	3000	200	170	40	50	70	40	37	26	10	18	3.7
3460002	5000	250	210	55	65	82	48	42	30	12	22	6
3461009	8000	310	260	60	70	95	56	50	35	26	10	8

#### Rope Pulleys with bracket - without Bush - Type 2

Simple inexpensive design for use with manual winches only. Material - grey cast iron GG 20 with plain bearing and grease nipple. Complete with fixing bracket.

#### Specification

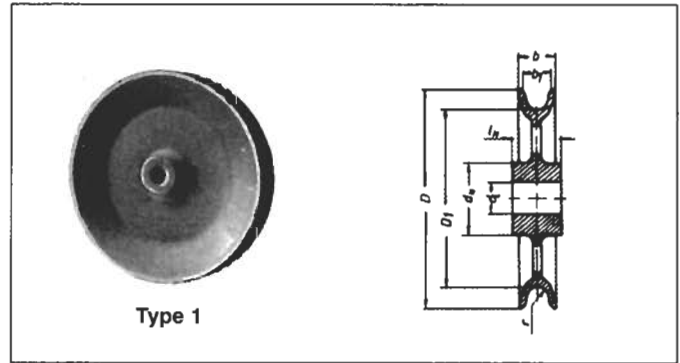
Art.-Nr.	Capa- city	Capacity 90° rope diversion	A	B	C	D	E	F	G	H	J	For rope Ø	Weight
	Kg	Kg	mm	mm	mm	mm	mm	mm	mm	mm	mm	mm	kg
3417025	250	175	140	85	100	128	14	64	9	100	-	3-6	2.5
3417026	750	500	200	120	100	140	14	78	13	140	75	6-8	5.5
3419006	1000	750	250	145	210	245	22	84	17	185	81	8-12	12.5

#### Rope Pulleys with bracket - Type 3

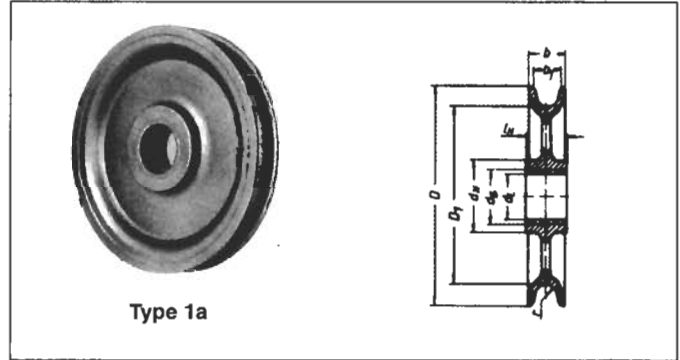
Simple design for use with manual or electric winches. material - grey cast iron GG 20 with bronze bush. Complete with fixing bracket designed to secure rope in the pulley grooves.

#### Specification

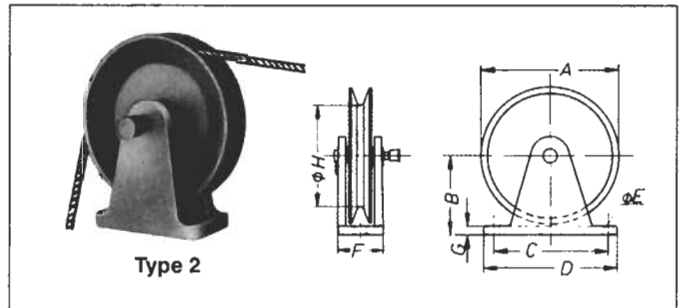
Art.-Nr.	Capacity- Hand operation	Capacity Electric operation- 90° rope diversion	Capacity Electric operation- 180° rope diversion	For rope Ø	Weight
	kg	kg	kg	mm	kg
3420001	150	100	75	3-4	1.3
3420002	250	180	125	4-5	1.84
3420003	500	320	250	5-6	3.06
3420004	750	500	375	6-8	5.7
3420005	1000	630	500	8-10	10
3420006	1500	1000	750	10-12	15.3
3420007	2000	1250	1000	12-14	24.3
3420008	3200	2000	1600	14-16	46
3420009	5000	3200	2500	16-20	87



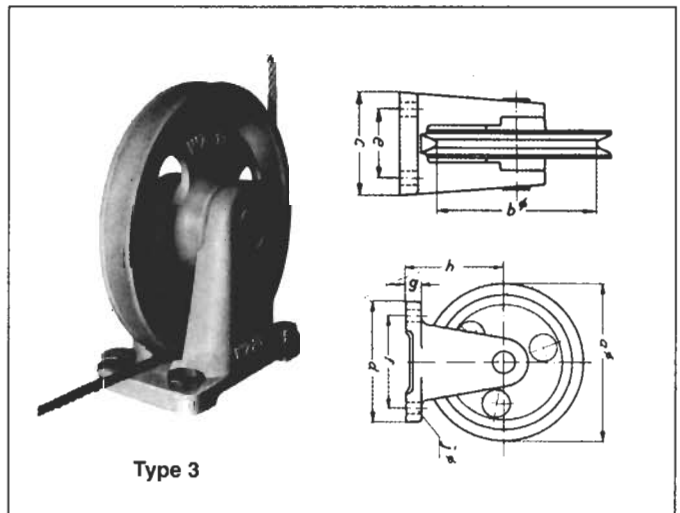
Type 1



Type 1a



Type 2



Type 3

Art.-Nr.	A	B	C	D	E	F	G	H	J
	mm	mm	mm	mm	mm	mm	mm	mm	mm
3420001	90	72	66	84	44	62	10	57	9
3420002	120	100	74	92	50	68	13	75	11.5
3420003	150	125	82	115	55	88	15	92	11.5
3420004	190	160	95	150	65	120	17	115	14
3420005	235	200	108	187	70	150	20	138	18
3420006	280	240	120	220	80	180	22	164	18
3420007	325	280	143	260	95	212	25	190	23
3420008	375	320	185	300	95	240	22	212	26
3420009	470	400	225	380	125	310	30	267	33